



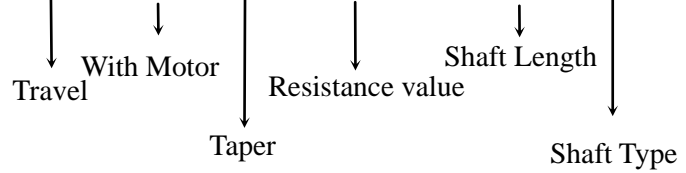
Special Applied Motor Fader

SL6071M

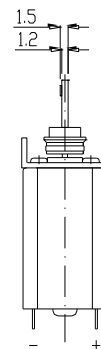
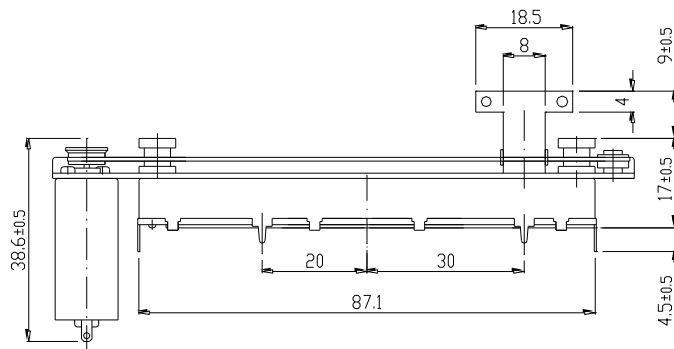
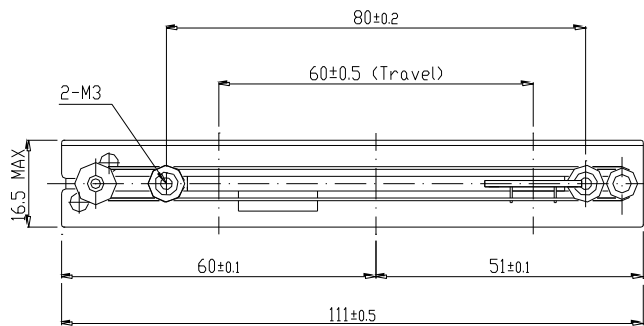


Part Number

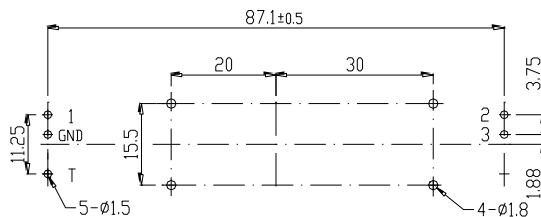
SL6071 M - B 10K, L- 9 H



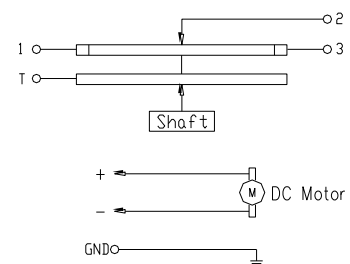
Dimensions



P.C.Board mounting hole detail viewed from mounting side



Circuit diagram and terminals



**Special Applied Motor Fader****General**

Operating temperature	-10 °C ~ +70 °C
Manual soldering	300 °C Max 3sec

Electrical Characteristics

Total resistance	10KΩ / 100kΩ
Total resistance tolerance	±20%
Resistance taper	B : Linear Taper (Servo track) Touch sense track
Residual resistance	30Ω Max
Insulation resistance	50 MΩ or more at DC 100 V

Mechanical Characteristics

Stroke length	60mm ± 0.5mm
Mounting centres	80mm ± 0.5mm
Slide torque	30 ~ 50 gf.cm
Sliding life	100,000 operations min

Motor Performance (8V DC Motor)

Starting current	500mA Max
Operating voltage	DC 5 ~ 11V
Motor response time	(At voltage applied to motor DC 8V)
	60 mm travel
	80 msec. Max